

# Xylofon

© Niels Jørgen Haugesen

Udemøbler

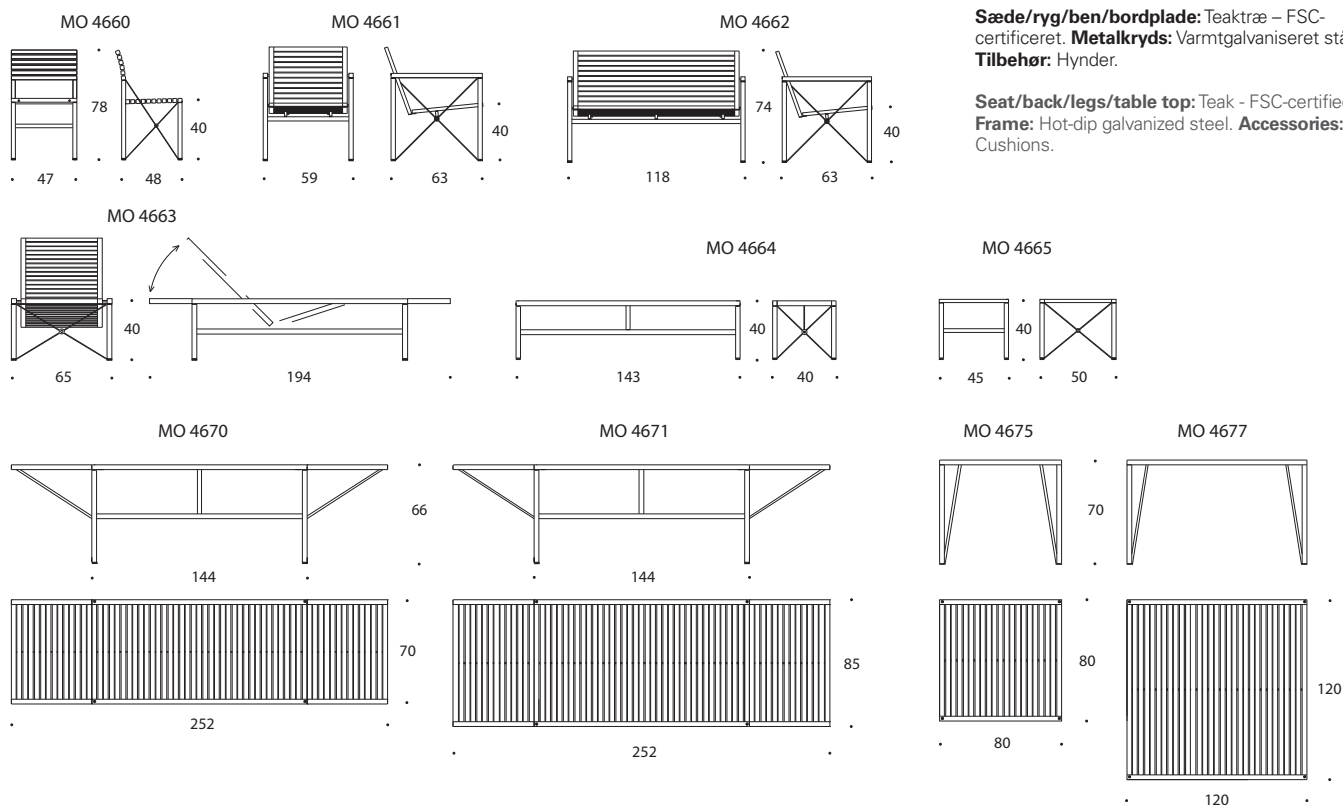
88





Xylofon serien er en kollektion af udendørsmøbler, der kan anvendes til både det private og det offentlige miljø. Designet stræber efter at opnå en visuel logik, der resulterer i en klarhed i form og funktion. Ved at kombinere stål og træ er der skabt et møbel, der giver en følelse af lethed, mens det på samme tid indeholder stor styrke. Galvaniseret stål er placeret, hvor styrken er nødvendig, og træet er placeret, hvor brugeren er i direkte kontakt med møblet. Til serien hører 4 borde, stol, armstol, bænk, solvogn og taburet/sidebord samt hynder.

The Xylofon series is a range of outdoor furniture suitable for both the private as well as the public environment. The design strives to obtain a visual logic, resulting in clarity in form and function. The combination of steel and wood conveys a feeling of lightness to the furniture, and at the same time it has a great strength. Galvanized steel is placed where strength is essential and wood is placed where the user is in physical contact with the furniture. The series consist of a chair, an armchair, a bench, 4 tables, a sunbed and a stool/side-table + cushions.

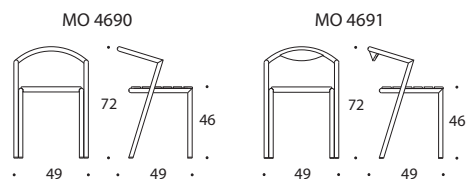
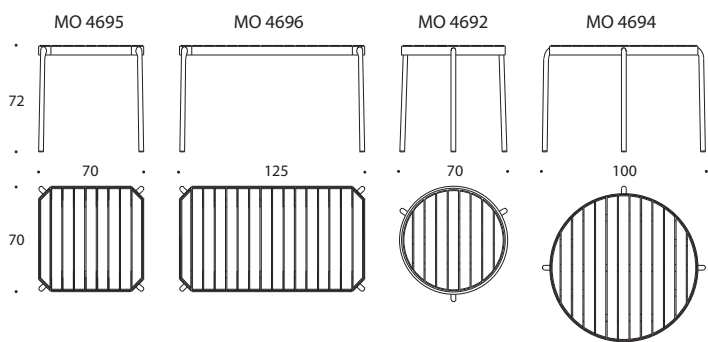


# Brazil

© Pelikan Design

Udemøbler

90



**Sæde/ryg/bordplade:** Teaktræ – FSC-certificeret.  
**Stel:** Varmtgalvaniseret stål. **Tilbehør:** Transportvogn.

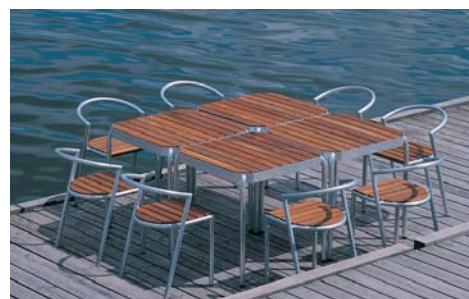
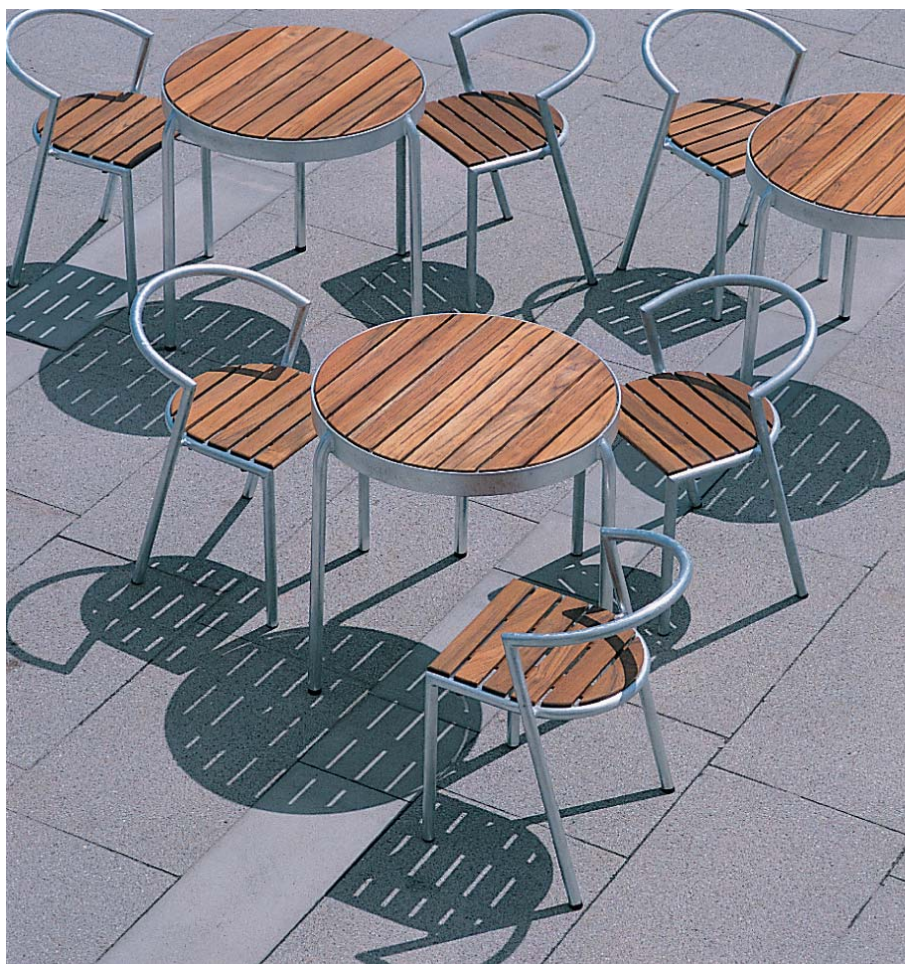
**Seat/back/table top:** Teak - FSC-certified.  
**Frame:** Hot-dip galvanized steel. **Accessories:** Trolley.

# Brazil

© Pelikan Design

Outdoor furniture

91



Et enkelt, maritimt design kendetegner vores udemøbler Brazil. I serien er der borde i 4 forskellige størrelser og 2 forskellige stole - med og uden teakryg. Stolene stables ved at skyde den ene stol ind over den anden og bordene stables i spiral. Den 6 cm brede bordramme beskytter pladens kant.

A simple, maritime design characterizes our outdoor furniture Brazil. The series consist of tables in 4 sizes as well as 2 chairs – with or without teak back. The chairs are stackable horizontally by pushing one chair over the other and the tables are stackable in a spiral. The 6 cm wide table frame in steel protects the edges of the table top.



# Triline / Ballet

© Niels Gammelgaard

Udemøbler

92



**Sæde/ryg:** Polyester væv. **Stel/bordplade:**  
Aluminium – pulverlakeret eller i strukturlak.  
**Tilbehør:** Hynder.

**Seat/back:** Polyester mesh. **Frame:**  
Aluminium – powder coated or textured finish.  
**Accessories:** Cushions.

# Triline / Ballet

© Niels Gammelgaard

Outdoor furniture

93



Triline har et stel med en elegant 3-kant profil, der giver møblerne et let udseende. Møbelserien er let at vedligeholde og vægten er behagelig lav. I serien findes stabelbare stole med lav og høj ryg, hvor udgaven med høj ryg også fås med vip. Dertil kommer en solvogn og borde i forskellige former. Stellet leveres i tre standardfarver og til siddemøblerne fås hynder.

Triline has an elegant triangular profile giving the furniture a light appearance. The furniture range is easy to maintain and has a comfortably low weight. The series consist of stackable chairs with low and high back - the high back version is also available with tilt in the back. Additionally a sunbed and tables in different shapes are available. The frame comes in three standard colours and cushions are available for the seating furniture.

